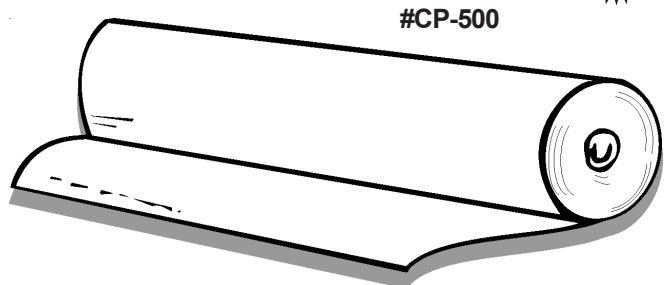


Shrinkwrap Supplies

Single Wrap Film - Acid Free

For use with Wrapid Seal II. Crystal clear, touch and durable, and water resistant.



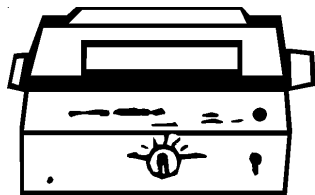
75 Guage *Original size 500'
Now 250'

Single Wrap Film		
Item #	Size	Price
CP-500-18	18" X 250'	22.20
CP-500-24	24" X 250'	25.90
CP-500-30	30" X 250'	29.40
CP-500-36	36" X 250'	38.60
CP-500-45	45" X 250'	52.80

Cordless Wrapid Seal II

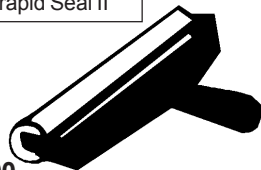
A trouble free wrapper that is safe and easy to use. No wires, no heating pads and no thermostats to cause problems. Protect artwork while making items clearly visible. Save money and time by eliminating bagging, folding and taping. Handles any size film.

Order # CP-100



#CP-100

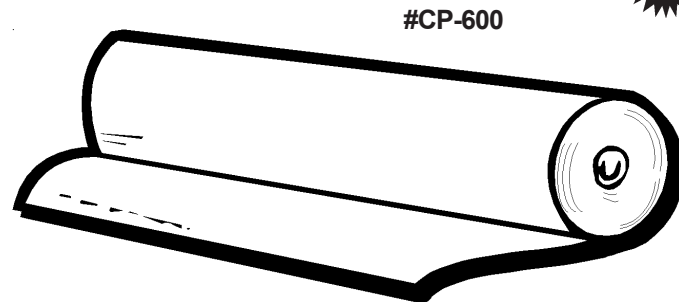
Center fold film can not be used with Wrapid Seal II



Item #	Description	Price
CP-100	Cordless Wrapid Seal II	275.00
CP-200	Porta Wrap II 42" (includes 1-497)	383.30
1-497	Heat Gun	42.50
1-500	Repair Kit for CP-200	18.50
CP-3MM-TAPE	Heat tape to cover wire on CP-200	.40/in
CP-6MM-TAPE	Heat tape to cover rubber base on CP-200	.50/in

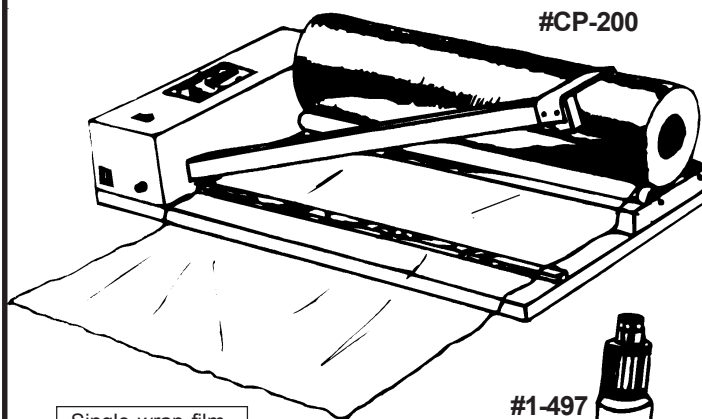
Center Fold Film-Acid Free

For use with Porta Wrap II 42" crystal clear, tough and durable, and water resistant.



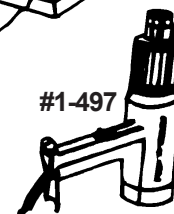
75 Guage

Center Fold Film		
Item #	Size	Price
CP-600-24	24" X 500'	60.50
CP-600-32	32" X 500'	82.20
CP-600-36	36" X 500'	85.60
CP-600-38	38" X 500'	95.90



#CP-200

Single wrap film can be used with the Porta Wrap II



#1-497

Included with CP-200
*Also available separately

Porta Wrap II 42"

A center folded shrinkwrap machine that is portable, compact and needs no warm up. Ideal for custom framers, professional artists, galleries, art distributors, printers & more.

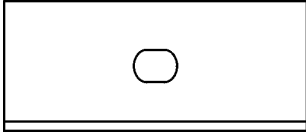
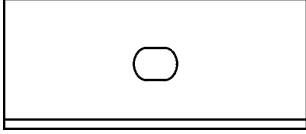
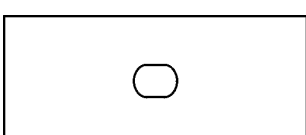
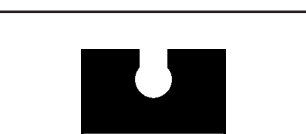


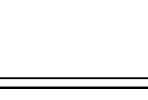
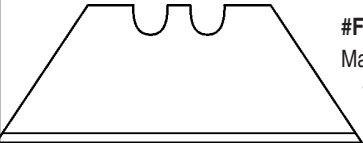

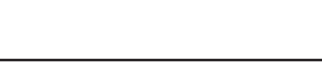



Order #CP-200 Porta Wrap II

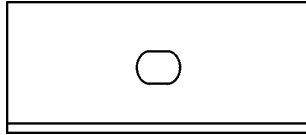
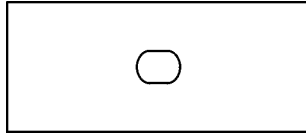
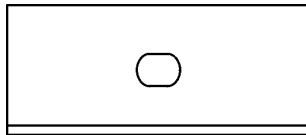
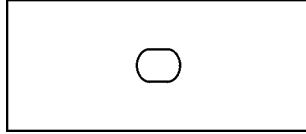
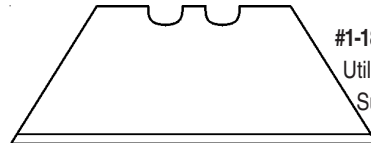

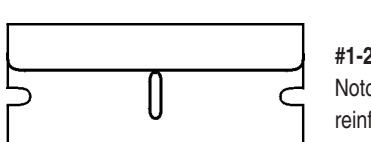
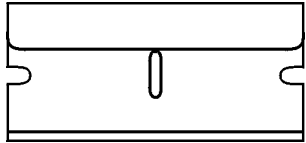
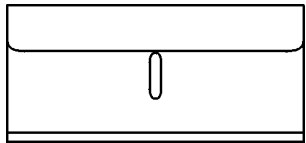

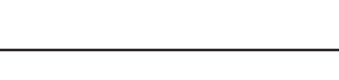
#CP-3MM-TAPE Heat tape to cover wire on CP-200

#CP-6MM-TAPE Heat tape to cover rubber base on CP-200

#1-497 Heat Gun

Blade Reference

	#FL-05-012 Box of 100 .012" Thick blade for Fletcher 2100 mat cutter.
	#FL-05-015 Box of 100 .015" Thick blade for Fletcher 2100 mat cutter.
	#FL-05-010 Pack of 10
	#FL-05-016 Box of 100 .015" Thick blade for Fletcher 2100 mat cutter. SINGLE EDGE (honed on one side only)
	#FL-05-003 Box of 100 Matboard cutting blade for Fletcher 3000 Series (triple turrent) wall cutter.
	#FL-05-001 Pack of 10
	#FL-05-711 Pack of 10 Matboard cutting blade for Fletcher 8400 Series wall cutter ONLY.
	#FL-05-004 Box of 100 Matboard, foamcore etc. cutting blade for Fletcher 3100 Series (pillar post) wall cutter.
	#FL-05-007 Box of 100 Matboard cutting blade for Fletcher Oval/ Circle cutters 1100 Series and FL-04-924
	#FL-05-009 Pack of 10
	#FL-05-712 Pack of 10 Plastic cutting blade for Fletcher 3000 & 3100 Series wall cutters (also used as CH-OT-2)
	#FL-05-713 Pack of 10 Plastic cutting blade for Fletcher hand-held heavy duty cutter FL-05-120.
	#FL-05-714 Pack of 10 Plastic cutting blade for Fletcher 38" cutting machine FL-05-511.

	#CH-1200 Box of 100 .012 gauge regular blade for C&H mat cutters.
	#CH-1200SE Box of 100 .012 gauge regular SINGLE EDGE blade for C&H mat cutters.
	#CH-1500 Box of 100 .015 gauge heavy blade for C&H mat cutters.
	#CH-1500SE Box of 100 .015 gauge heavy SINGLE EDGE blade for C&H mat cutters.
	#1-180 Box of 100 Utility knife blades Substitutes for Stanley #1992 (1-444)
	#1-190 Pack of 5
	#1-189 Box of 100 Heavy duty utility knife blades.
	#1-244 Box of 100 Notched safety razor blade with reinforced spine.
	#1-247 Box of 100 No Notch safety razor blade with reinforced spine.
	#1-183 Box of 100 Protrim blades (Dexter No. 3)
	#1-182 Pack of 5
PRICES	
For Fletcher blades see E-13	See E-33 for more blades
For C&H blades see E-24	See page E-47-49 for prices